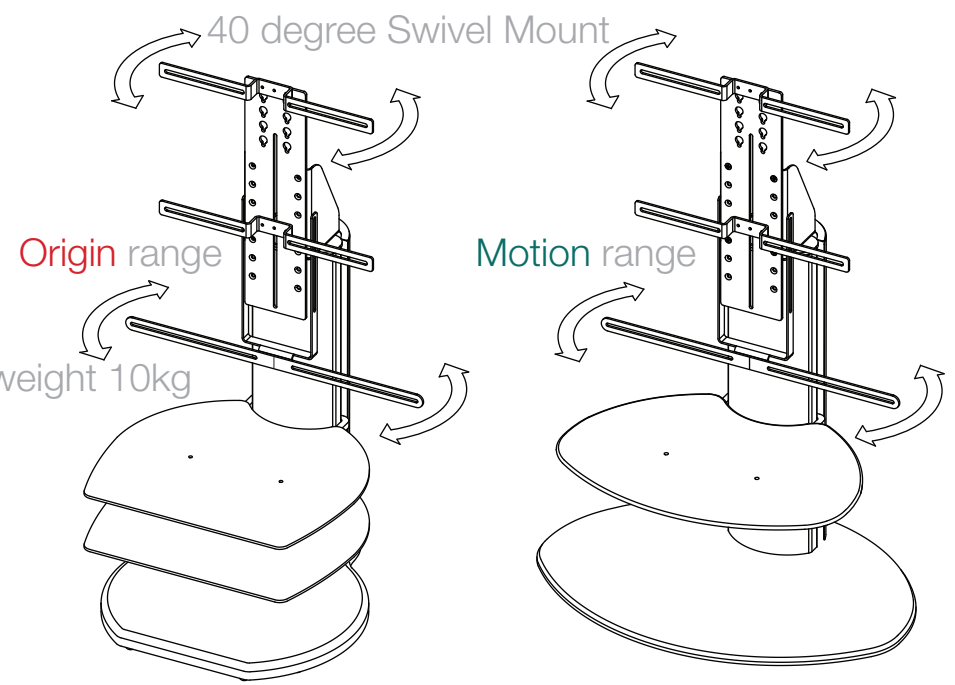
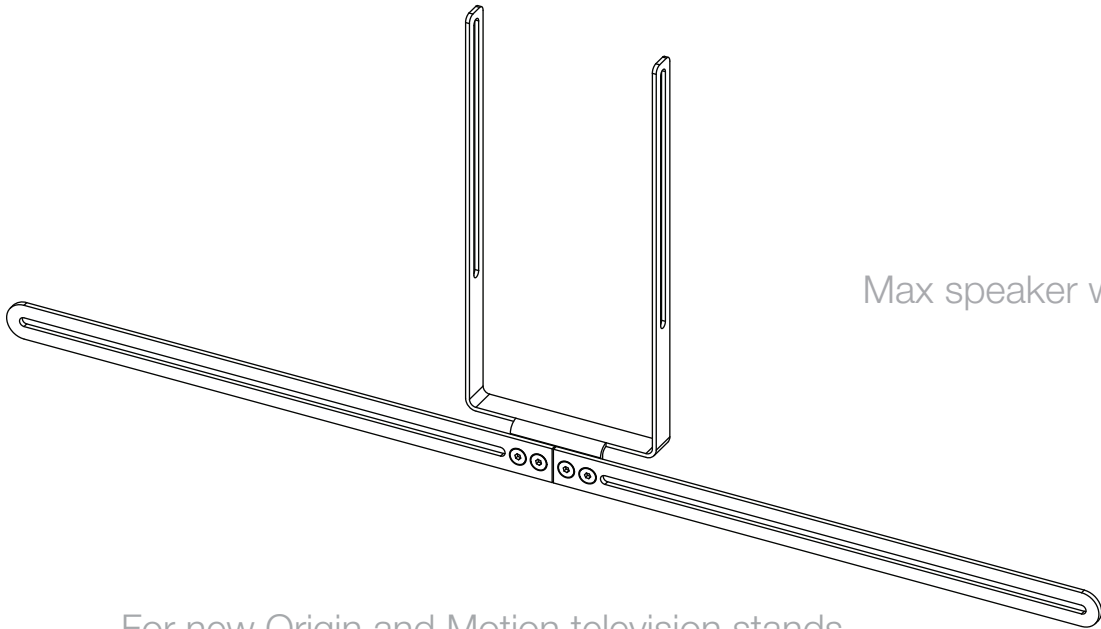


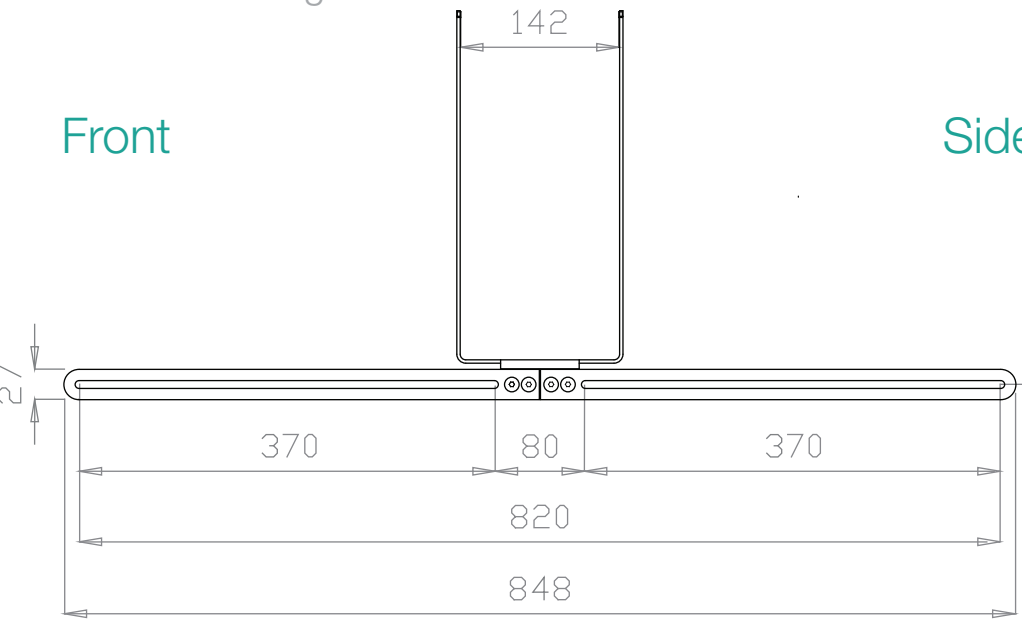
Sound Bar Bracket Dimensions



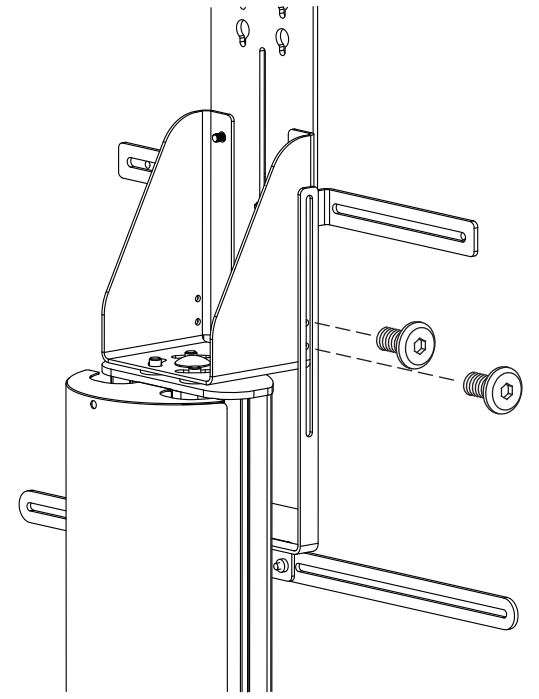
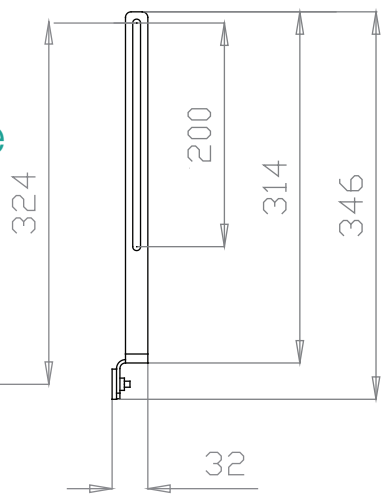
For new Origin and Motion television stands.
Sound Bar fixing centres from 8cms to 82 cms wide.

Easy fixing to the stand with simple adjustability.

Front



Side



The Sound Bar Bracket will fit to wall mountable sound bars that have threaded inserts, key hole or wall bracket fixings.