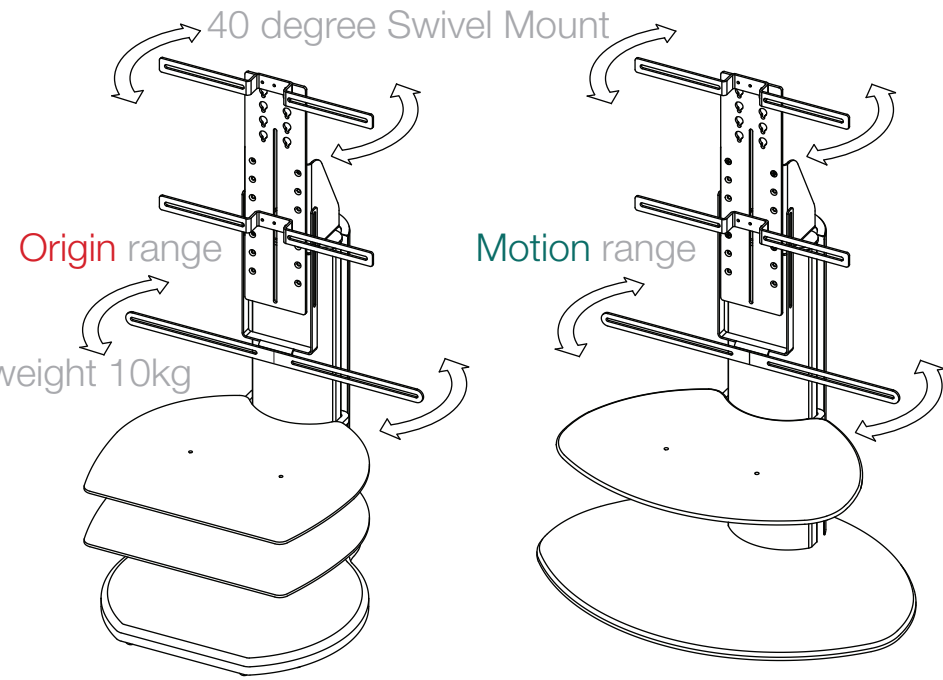
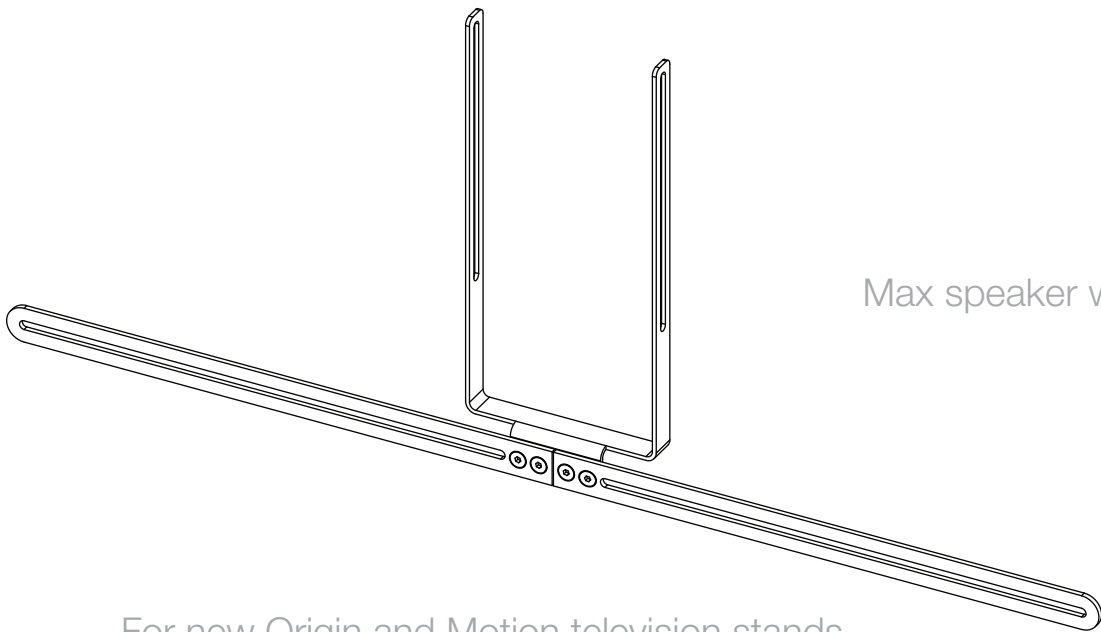


# Sound Bar Bracket Dimensions (Inches)

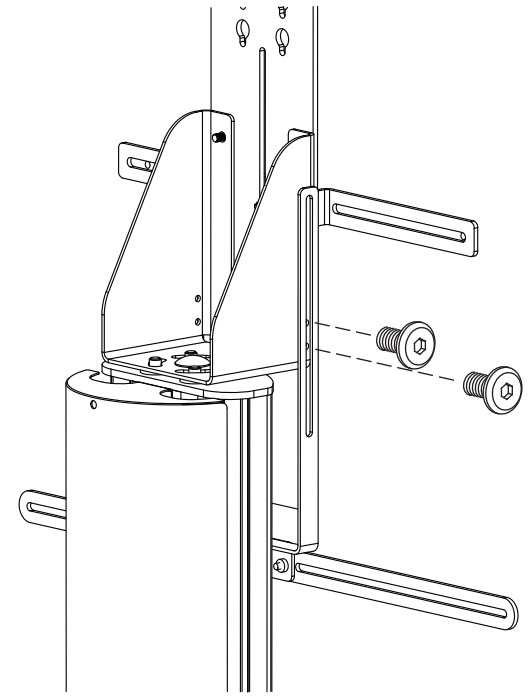
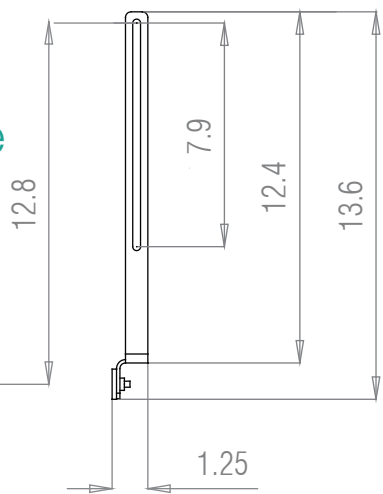
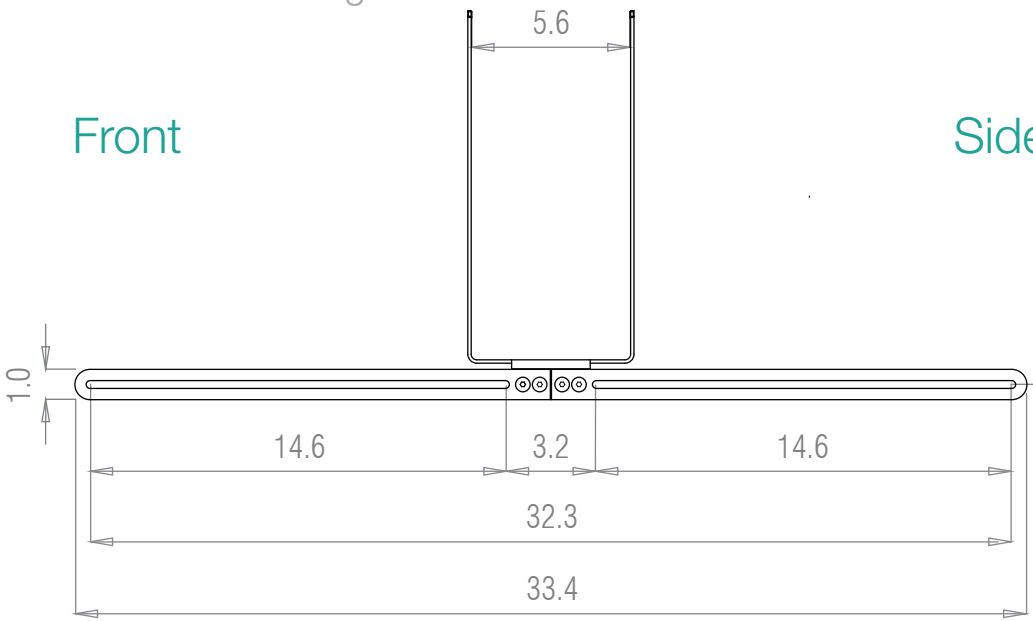


For new Origin and Motion television stands.  
Sound Bar fixing centres from 3.2" to 32.3" wide.

Easy fixing to the stand with simple adjustability.

Front

Side



The Sound Bar Bracket will fit to wall mountable sound bars that have threaded inserts, key hole or wall bracket fixings.