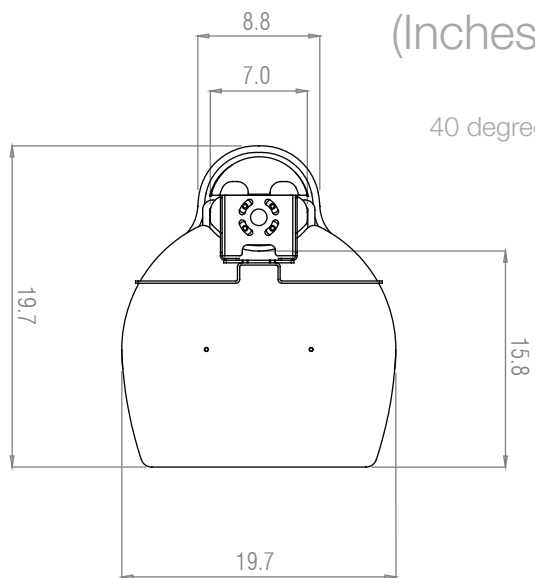


Origin S2 & S4 Dimensions

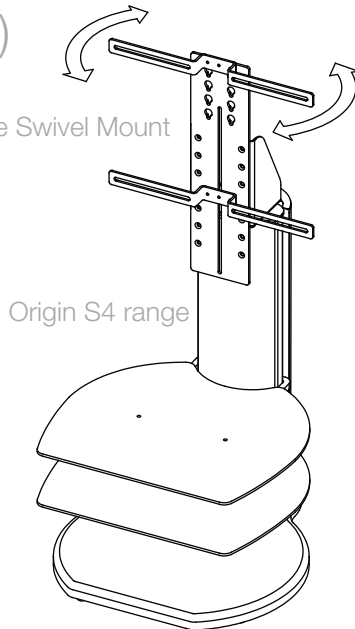
For televisions from 37" up to 55" with fixing centres 3.9" to 16.5" wide. Max TV weight 40kg.

Top

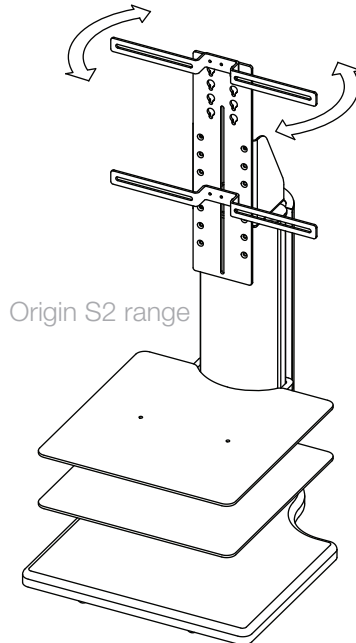


(Inches)

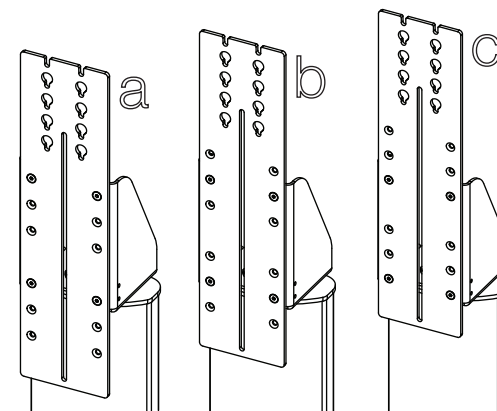
40 degree Swivel Mount



Origin S4 range

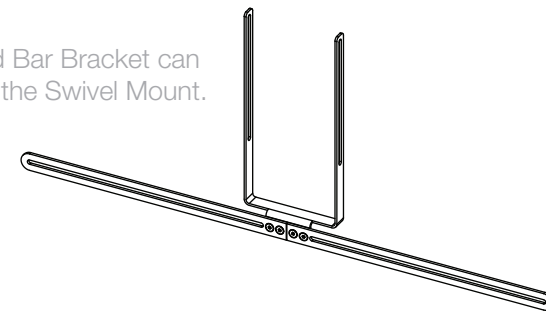


Origin S2 range

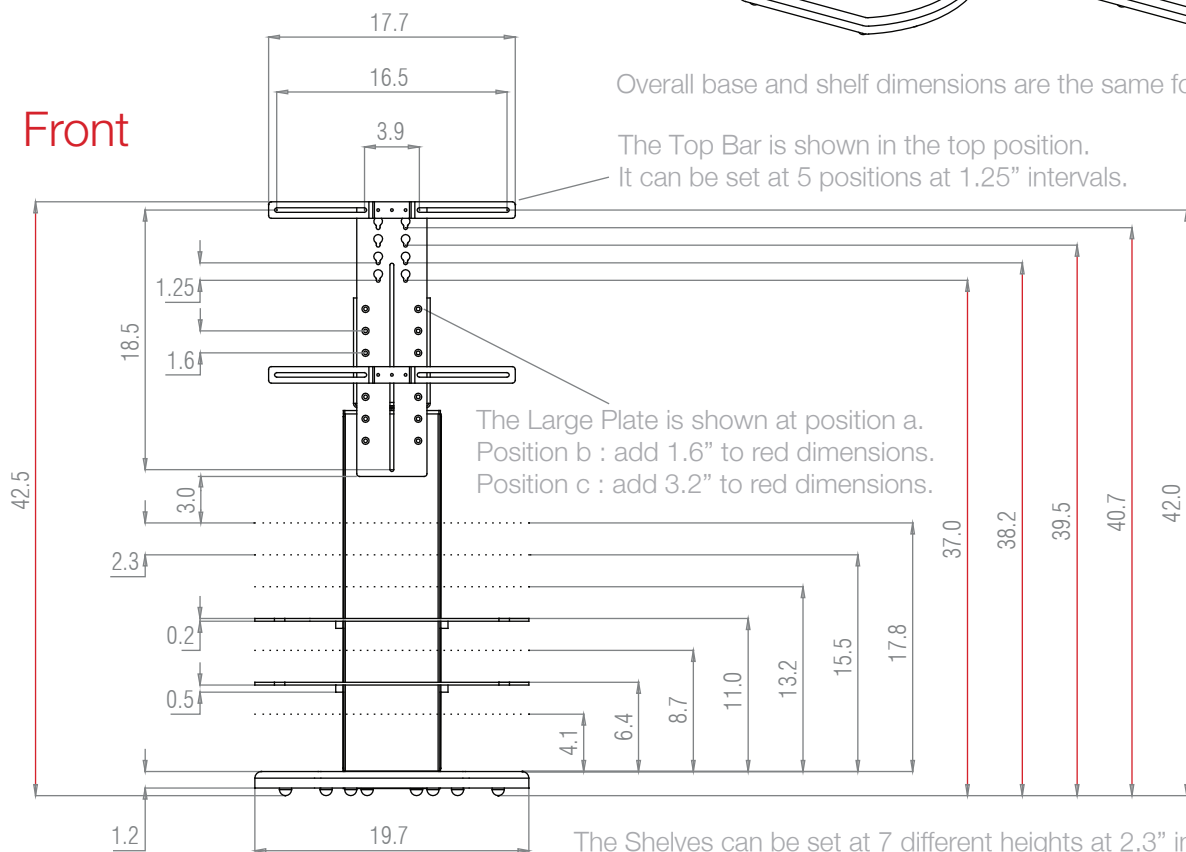


The Large Plate can be raised in height by 1.6" each time.

Optional Sound Bar Bracket can be attached to the Swivel Mount.



Front



Overall base and shelf dimensions are the same for the S2 & S4 range

The Top Bar is shown in the top position. It can be set at 5 positions at 1.25" intervals.

The Large Plate is shown at position a. Position b : add 1.6" to red dimensions. Position c : add 3.2" to red dimensions.

The Shelves can be set at 7 different heights at 2.3" intervals.

Side

