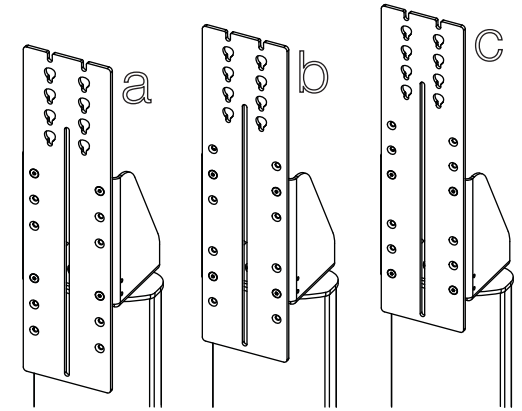
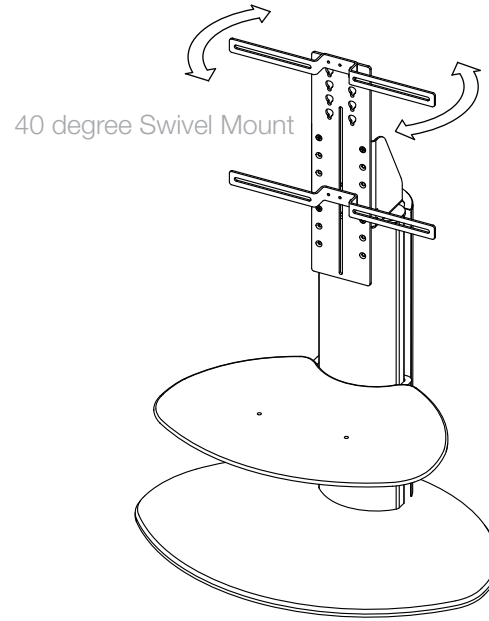
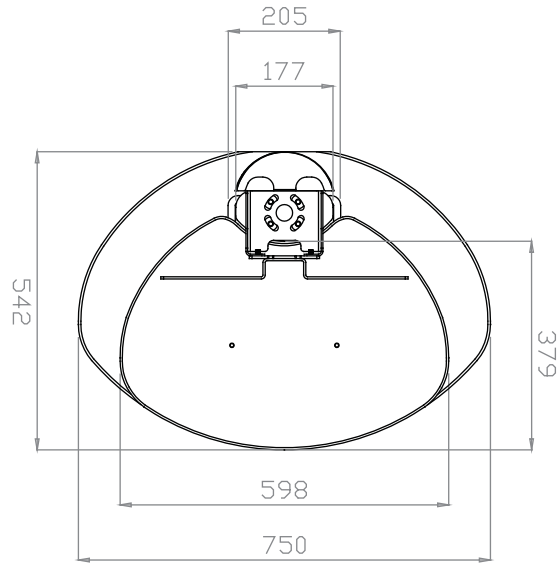


# Motion Dimensions

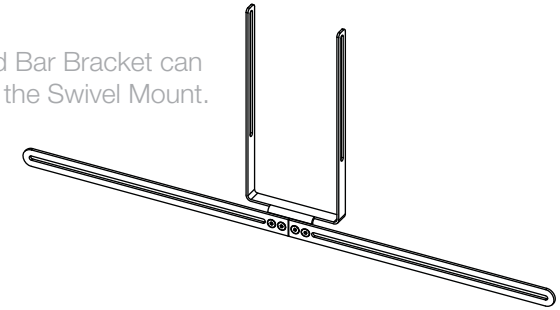
For televisions from 37" up to 55" with fixing centres 10cm to 42cm wide. Max TV weight 40kg.

## Top



The Large Plate can be raised in height by 40mm each time.

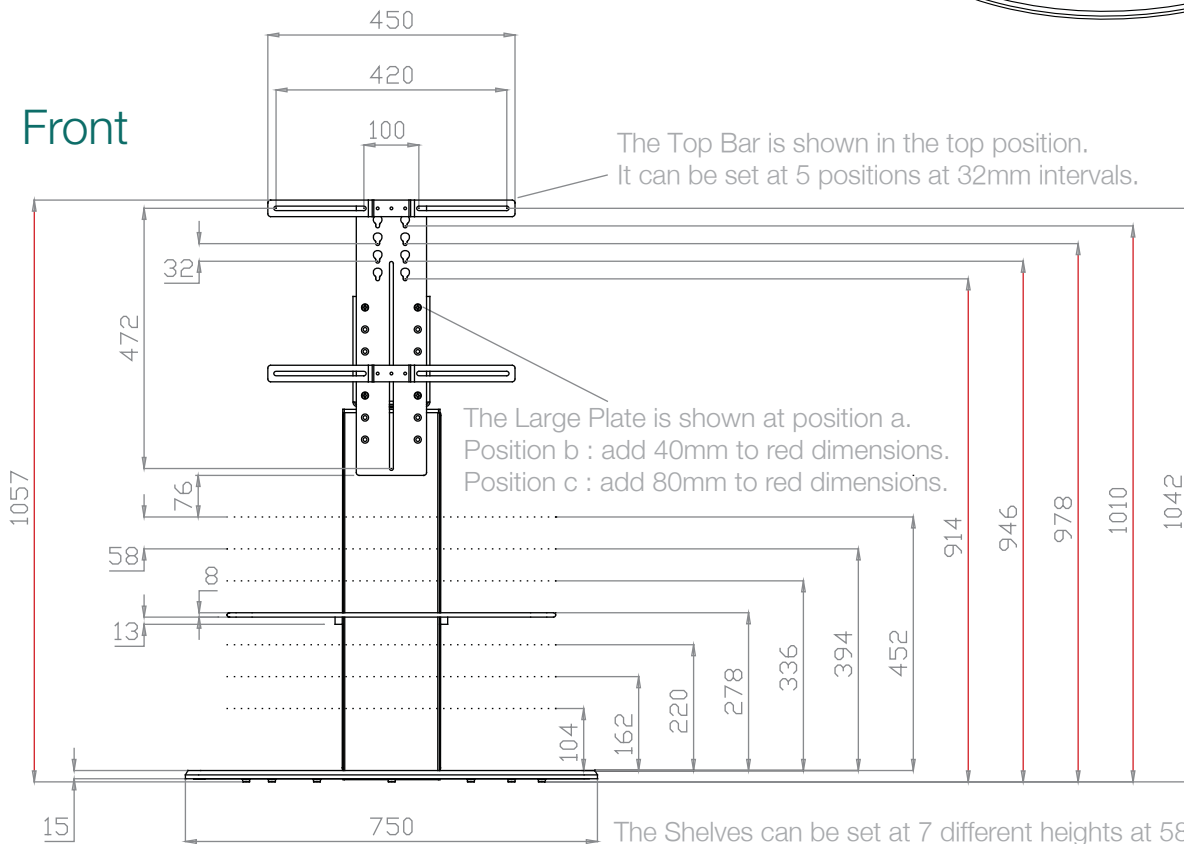
Optional Sound Bar Bracket can be attached to the Swivel Mount.



## Front

The Top Bar is shown in the top position. It can be set at 5 positions at 32mm intervals.

The Large Plate is shown at position a. Position b : add 40mm to red dimensions. Position c : add 80mm to red dimensions.



The Shelves can be set at 7 different heights at 58mm intervals.

## Side

