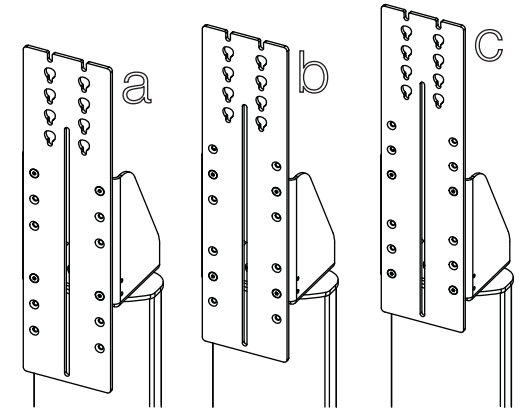
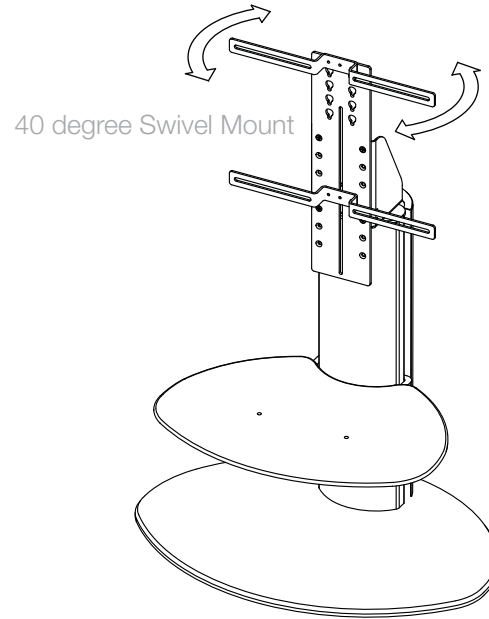
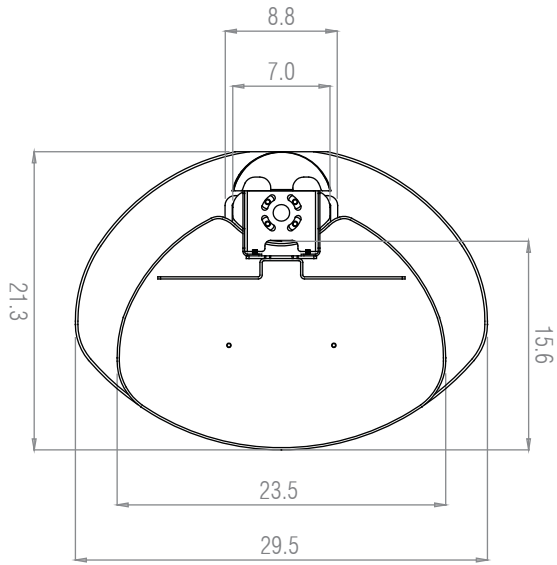


# Motion Dimensions (Inches)

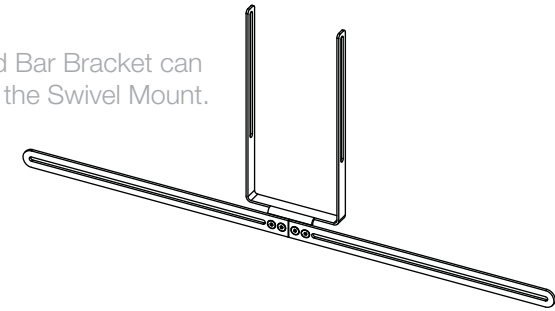
For televisions from 37" up to 55" with fixing centres 3.9" to 16.5" wide. Max TV weight 40kg.

## Top

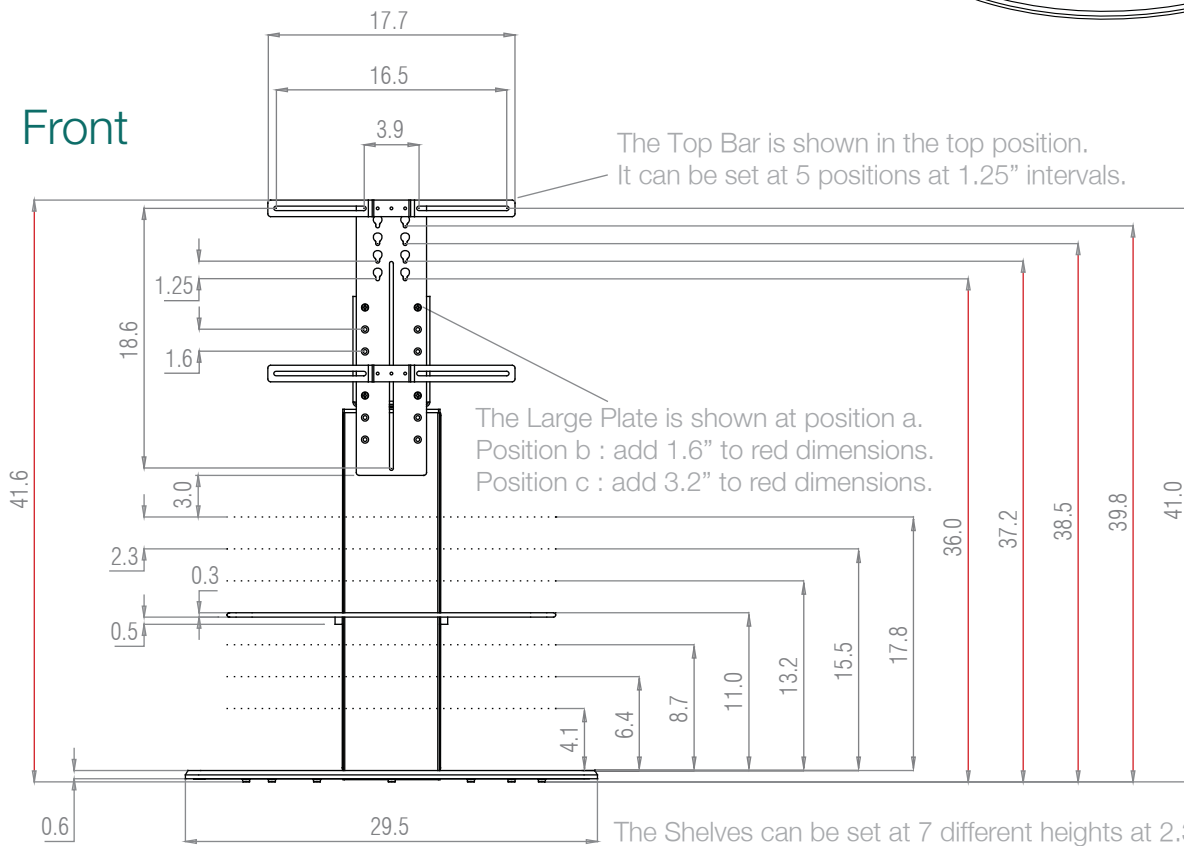


The Large Plate can be raised in height by 1.6" each time.

Optional Sound Bar Bracket can be attached to the Swivel Mount.



## Front



## Side

