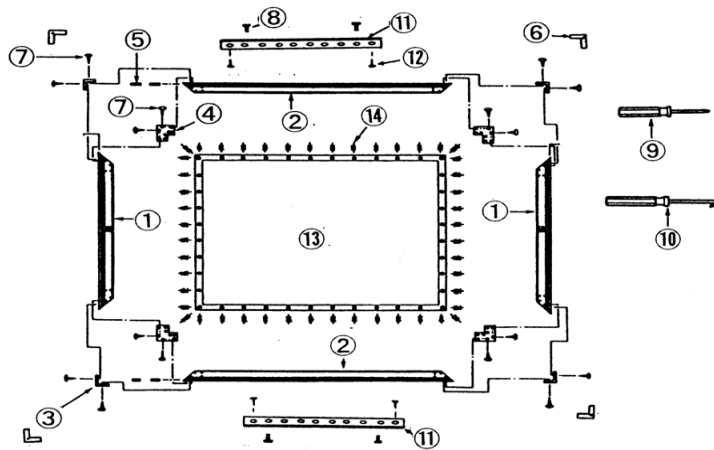




AVT-Fixed Projection Screen Installation Instructions



No	Parts	Qty
1	Side frame	2
2	Top/bottom frame	2
3	Outside frame corner bracket	4
4	Inside frame corner bracket	4
5	Slide wall mounting plate	4 or 6
6	Inside spring corner bracket	4
7	Pan head screw (4x10)	48
8	Truss head screw (M6x8)	4 or 6
9	Phillips screwdriver appears for illustration purposes only	not included
10	Spring setting screwdriver appears for illustration purposes only	not included
11	Wall mounting bracket	vary according to screen size
12	Wall mounting screw appears for illustration purposes only - use local screws according to the wall where the unit is being mounted	not included
13	Screen surface	1
14	Spring	vary according to screen size

PROTECT THE PROJECTION SCREEN

The surface of the projection screen is specially processed to enhance the image quality. Handle the screen surface with care to avoid dirt or scratches that degrade the image quality.

After installation:

- Avoid touching the screen surface.
- Do not draw or write on the screen surface.
- Do not rub or scratch the screen surface with a hard object.

Remove dust from the screen surface by gently using a very soft duster brush or soft dry cloth. Never use a damp cloth, benzene, thinner or other similar chemical.

Note:

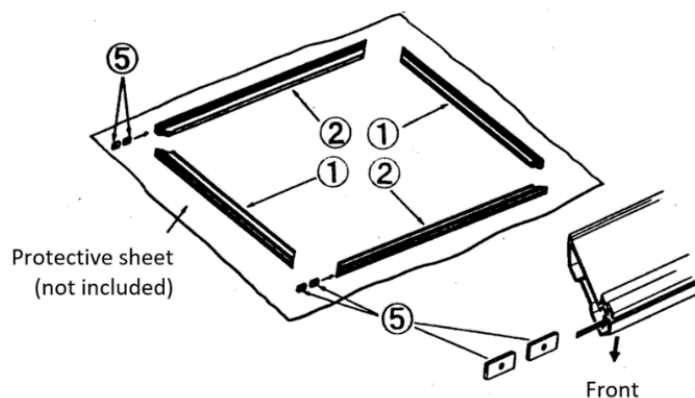
- The screen surface is dried sufficiently before shipment. A paint or adhesive odor may be apparent when first used. This odor will gradually disappear.
- The serial number for your projection screen is important. It can only be found on the carton box. Take a photo or write the number before throwing the carton away and keep it in a secure place.

ASSEMBLING INSTRUCTIONS

To protect the projection screen during assembly, lay a protective sheet (not included) underneath the screen surface and frame.

Place the screen *frame* ①② facing down on the protective sheet.

Insert two *slide wall mounting plates* ⑤ in the top and bottom frame slots.

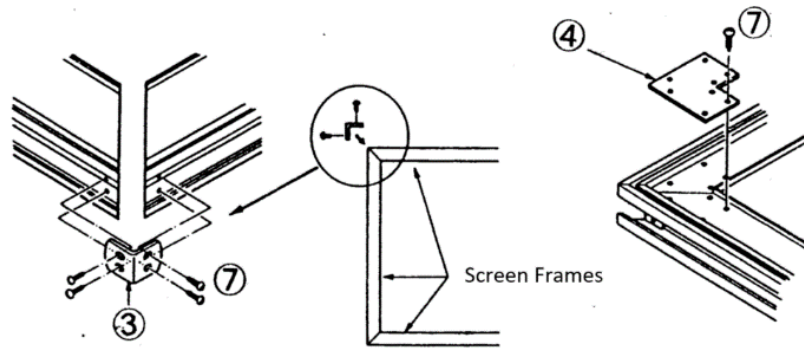




AVT-Fixed Projection Screen Installation Instructions

Attach the *outside frame corner brackets* (3) to the corners of the screen frame using the *pan head screws* (7).

Attach the *inside frame corner brackets* (4) to the corners of the screen frame using the *pan head screws* (7).

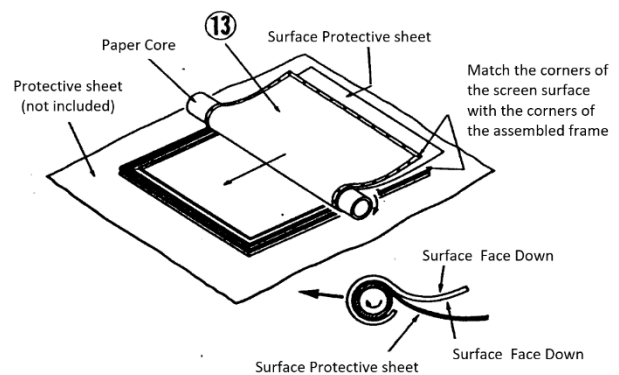


Note. The screen surface is wrapped around a paper core with a protective sheet.

Place the rolled *screen surface* (13) facing down on the assembled screen frame.

Match the corners of the screen surface with the corners of the assembled screen frame.

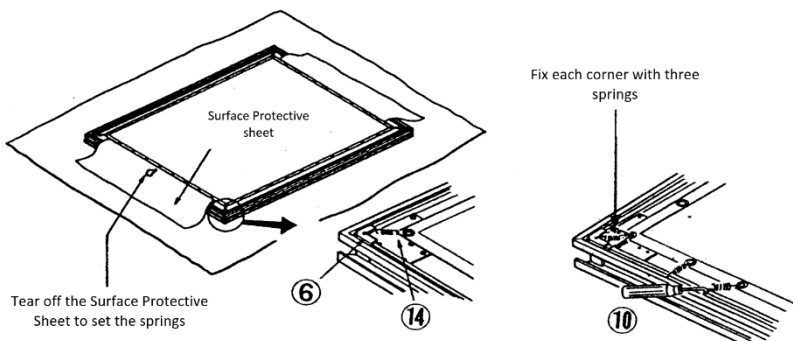
Slowly unroll the screen surface towards the arrow direction shown in the drawing leaving the protective sheet between the screen frame and the surface and removing the paper core.



Important. When resetting the screen surface or carrying it, be sure to wrap it around the paper core using the screen surface protective sheet.

Attach the *inside spring corner brackets* (6) to the corners of the screen frame.

Connect each of the *inside spring corner bracket* (6) to each corner of the screen surface with one *spring* (14).



After the four corners are connected, then add two additional *springs* (14) per corner.

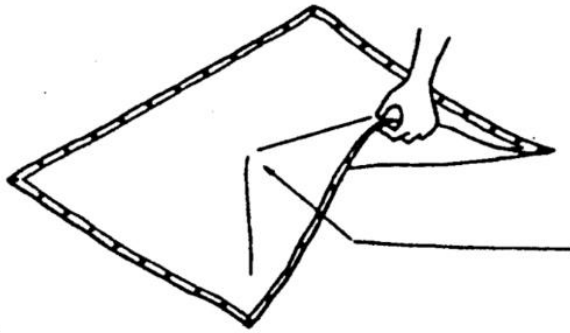
There should be a total of three *springs* (14) per corner.

Using the *springs* (14), fix the screen frame to the upper, lower, left and right spring mounting holes of the screen surface sides. The springs must be alternately installed to the opposite screen frames.

When fixing the springs to the sides of the screen frame, tear off the protective sheet of the fixing section.



AVT-Fixed Projection Screen Installation Instructions



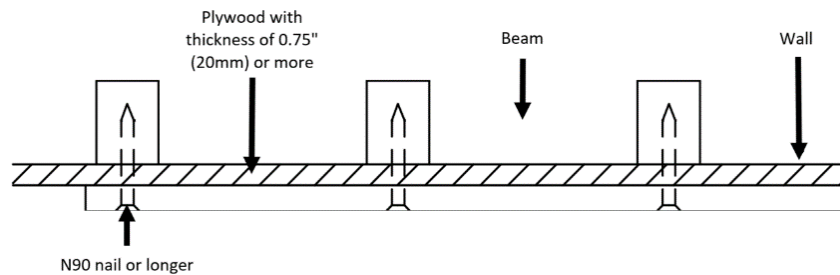
CAUTION

Folds on the screen surface during handling may cause permanent damage.

WALL MOUNTING

For safe mounting, the wall must have the strength to support a load of at least 100 Kg. Be sure to reinforce gypsum board or particle board with plywood. When mounting onto a concrete wall, use the appropriate concrete anchors (not included).

Example of reinforcement



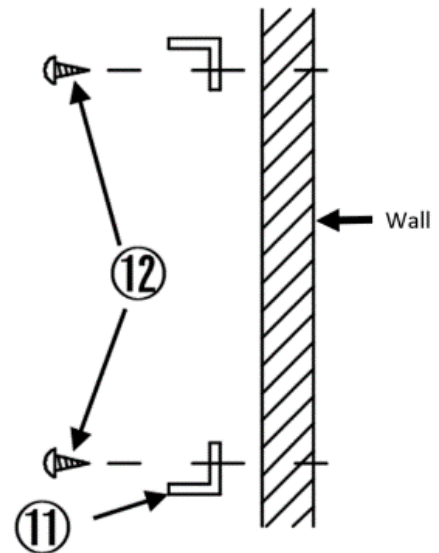
Set the *wall mounting brackets* (11) onto the wall face with the *appropriate screws* (12) according to the wall where the unit is being mounted

Ensure that the *wall mounting brackets* (11) are horizontal.

Remove the protective sheet.

Avoid touching the screen surface.

Set the *wall mounting brackets* (11) to apart 1/3 to 1/4 from both ends.





AVT-Fixed Projection Screen Installation Instructions

Fix the truss head screws ⑧ to the *slide wall mounting plates* ⑤. Push the frame from the front side of the bracket (gap position), moving the fixing screw to the hole position, then tighten the screw.

