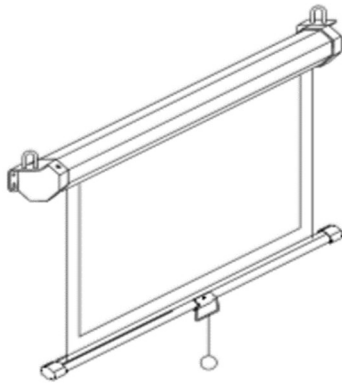




## Manual Wall/Ceiling Mount Projection Screen Installation and Operation Instructions

**PROTECT THE PROJECTION SCREEN** by keeping it rolled up in its case when not in use. Always examine both sides of the surface before rolling it back into its case making sure that it is free of dust or dirt. Use a very soft duster brush to gently remove particles from the surface.



### INSTALLATION INSTRUCTIONS

The manual retractable screen may be mounted on a wall, suspended from a ceiling or hung from extension brackets. Care in mounting and correct operation will mean a long and satisfactory product life.

Locate the screen in a position best viewed by the audience free of visual obstructions.

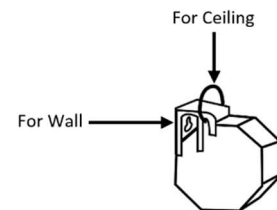
When the screen is mounted on a wall, the case must be level and parallel to the wall.

### BUILT-IN HANGERS

#### For Wall Mounting

Use the keyhole slots at the back of the built-in hanging brackets for flush wall mounting.

Position screws in the wall and hang the screen by the keyhole slots.



#### For Ceiling Mounting

Use the rings on the built-in hanging brackets for ceiling mounting.

Position screw hooks in to the ceiling and hang the screen by the rings.

For drop ceilings, use T-Bar scissor clips (not included).

### OPERATING INSTRUCTIONS

#### To Lower the Surface

Pull the screen all the way down using the handle. **HESITATE**, then allow the surface to retract **VERY SLOWLY** until the screen locks in place.

#### To Raise the Surface

Quickly tug on the pull bail as it were a window shade. Keep control of the surface. **DO NOT** allow the surface to retract so rapidly that the handle strikes the frame and possibly causing damages.